

ASAHI AV VALVE AND PIPING SYSTEMS
ASAHI AV VALVES

ROTARY DAMPER 40mm - 600mm(1¹/₂inch - 24inch)



ROTARY DAMPER (PVC,PP) 40mm - 600mm(1½inch - 24inch)

FEATURES

DAMPER STYLE is Designed for Flow Control.

Note : DAMPER STYLE is not a tight shut off valve.
Consult factory for Leakage rates.

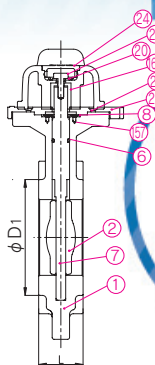
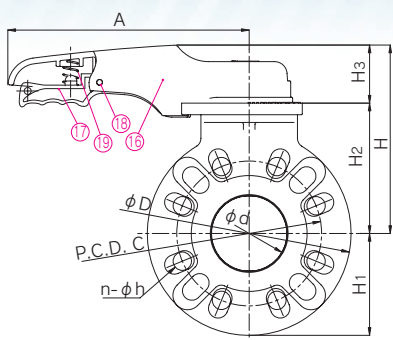
SPECIFICATIONS

Body material	Nominal size mm(inch)	Working Temperature °C(B °F)	Max. Working Pressure (at R.T.) MPa{kgf/cm²}[PSI]		
			40(1½inch)~ 200(8inch)	250(10inch)~ 350(14inch)	400(16inch)~ 600(24inch)
PVC	40 - 350 (1½ - 14)	0 - 50 (30 - 120)	0.1 {1.0} [15]	0.05 {0.5} [7]	—
PP	40 - 600 (1½ - 24)	-20 - 80 (-5 - 175)	0.1 {1.0} [15]	0.05 {0.5} [7]	0.05 {0.5} [7]
PVDF	40 - 600 (1½ - 24)	-20 - 120 (-5 - 250)	0.1 {1.0} [15]	0.05 {0.5} [7]	0.05 {0.5} [7]

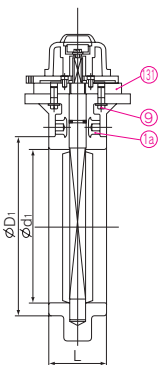
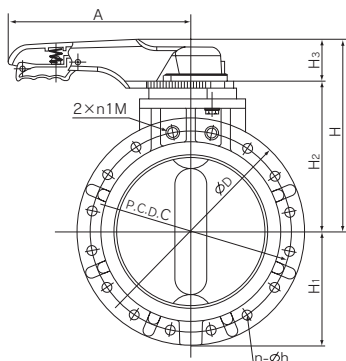


● PVC

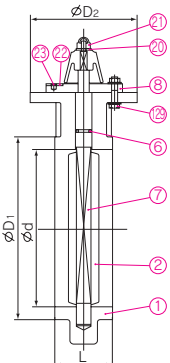
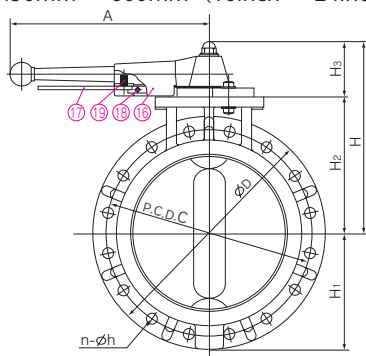
● PVC, PP
40mm - 200mm (1½inch - 8inch)



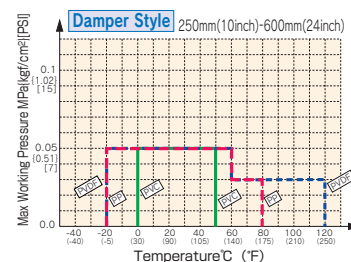
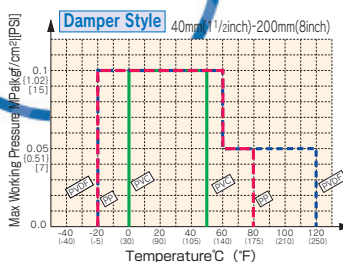
250mm - 400mm (10inch - 16inch)



450mm - 600mm (16inch - 24inch)



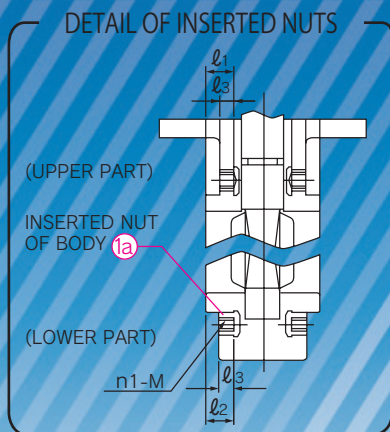
WORKING PRESSURE VS. TEMPERATURE



PARTS & MATERIALS

No.	DESCRIPTION	Pcs.	MATERIAL	REMARKS
①	BODY	1	BODY/DISC/STEM	
②	DISC	1	PVC/PP/PVC	
⑦	STEM	1	PP/PP/PP	
⑥	O-RING(C)	1	EPDM, FKM, OTHERS	
⑧	STEM HOLDER(A)	1	STAINLESS STEEL304	40mm - 200mm
⑨	BOLT(A)	3	STAINLESS STEEL304	250mm - 400mm
⑯	HANDLE(A)	1	PP	
⑯	INSERTED METAL OF HANDLE	1	STAINLESS STEEL316	40mm - 400mm
⑰	HANDLE LEVER	1	PPG	40mm - 400mm
⑱	PIN	1	STAINLESS STEEL304	450mm - 600mm
⑲	SPRING	1	STAINLESS STEEL304	
⑳	WASHER(A)	1	STAINLESS STEEL304	
㉑	BOLT(B)	1	STAINLESS STEEL304	40mm - 400mm
㉒	NUT(B)	1	STAINLESS STEEL304	450mm - 600mm
㉓	LOCKING PLATE	1	PPG	40mm - 400mm
㉔	SCREW(B)	4	STAINLESS STEEL304	450mm - 600mm
㉕	CAP(A)	1	PP	40mm - 400mm
㉖	BOLT · NUT(N)	3	STAINLESS STEEL304	450mm - 600mm
㉗	STEM	1	PPG	250mm - 400mm
㉘	INSERTED METAL OF BODY	4	COPPER ALLOY(C3604)	10k400mm - 600mm

DIMENSIONS TABLE



DIN													Unit:mm
Nominal Size		d	DIN PN 10			D ₁ PVC,PP	D	L	H	H ₁	H ₂	H ₃	A
mm	inch		C	n	h								
40	1 1/2	47	110	4	18	86	150	32	156	75	100	56	220
50	2	58	125	4	18	96	165	35	166	83	110	56	220
65	2 1/2	71	145	4	18	116	185	37	176	93	120	56	220
80	3	79	160	8	18	120	211	37	191	106	135	56	250
100	4	104	180	8	18	152	238	47	206	119	150	56	250
125	5	131	210	8	18	190	264	57	237	132	168	69	320
150	6	152	240	8	22	208	285	62	252	143	183	69	320
200	8	197	295	8	22	264	340	76	283	170	214	69	400
250	10	247	350	12	23	321	406	96	342	203	273	69	400
300	12	298	400	12	23	370	483	116	399	242	330	69	400
350	14	347	460	16	23	420	520	116	426	260	338	69	400
400	16	394	515	16	27	470	600	157	451	300	382	69	400
450	18	441	565	20	27	525	630	167	496	315	370	126	323
500	20	488	620	20	27	575	699	177	526	350	400	126	323
600	24	600	725	20	30	686	813	197	591	424	465	126	323

ANSI													Unit:inch
Nominal Size		d	ANSI Class 150			D ₁ PVC,PP	D	L	H	H ₁	H ₂	H ₃	A
inch	mm		C	n	h								
1 1/2	40	1.83	3.68	4	0.63	3.39	5.91	1.26	6.14	2.95	3.94	2.20	8.66
2	50	2.26	4.74	4	0.75	3.78	6.50	1.38	6.54	3.25	4.33	2.20	8.66
2 1/2	65	2.78	5.49	4	0.75	4.57	7.28	1.46	6.93	3.64	4.72	2.20	8.66
3	80	3.09	6.00	4	0.75	4.72	8.31	1.46	7.52	4.15	5.31	2.20	9.84
4	100	4.07	7.50	8	0.75	5.98	9.37	1.85	8.11	4.69	5.91	2.20	9.84
5	125	5.14	8.50	8	0.87	7.48	10.39	2.24	9.33	5.20	6.61	2.72	12.60
6	150	5.96	9.51	8	0.87	8.19	11.22	2.44	9.92	5.61	7.20	2.72	12.60
8	200	7.76	11.75	8	0.87	10.39	13.39	2.99	11.14	6.69	8.43	2.72	15.75
10	250	9.72	14.25	12	0.98	12.64	15.98	3.78	13.46	7.99	10.75	2.72	15.75
12	300	11.73	17.01	12	0.98	14.57	19.02	4.57	15.71	9.53	12.99	2.72	15.75
14	350	13.66	18.74	12	1.14	16.54	20.47	4.57	16.77	10.24	13.31	2.72	15.75
16	400	15.51	21.24	16	1.14	18.50	23.62	6.18	17.76	11.81	15.04	2.72	15.75
18	450	17.36	22.76	16	1.26	20.67	24.80	6.57	19.53	12.40	14.57	4.69	12.72
20	500	19.21	25.00	20	1.26	22.64	27.52	6.97	20.71	13.78	15.75	4.96	12.72
24	600	23.62	29.51	20	1.38	27.01	32.01	7.76	23.27	16.69	18.31	4.96	12.72

Note : The shape and appearance of the valve differ a little with nominal size compared to the drawing.



AURO LOCATIONS

AURO Armaturen- und RohrhandelsgesmbH
Lichtblaustraße 21
A-1220 Wien
Austria
Tel: +43/1/2565555
Fax: +43/1/25655555
E-Mail: wien@auro.cc

AURO Bulgaria EOOD
Illianci
3, Azalia Str.
BG-Sofia 1271
Bulgaria
Tel: +359/2/4894519
Fax: +359/2/4894722
E-Mail: bulgaria@auro.cc

AURO spol s.r.o
Technická 2/539
CZ-66448 Moravany u Brna
Czech Republic
Tel: +420/54/5233328
Fax: +420/54/5234753
E-Mail: auro@auro.cz

SC AURO Romania SRL
25-27, Celofibrei Str.
RO-077025 Bragadiru
Judetul Ilfov
Romania
Tel: +40/21/4205217
Fax: +40/21/4205218
E-Mail: romania@auro.cc

AURO Budapest Kft.
Gyár u. 2
H-2040 Budaörs
Hungaria
Tel: +36/23/503920
Fax: +36/23/503921
E-Mail: aurobp@aurobp.hu